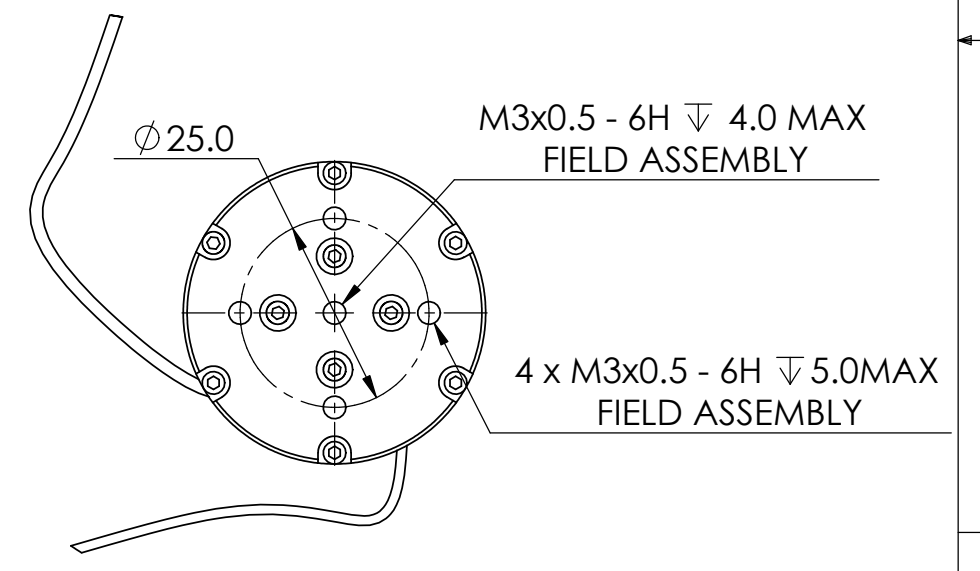
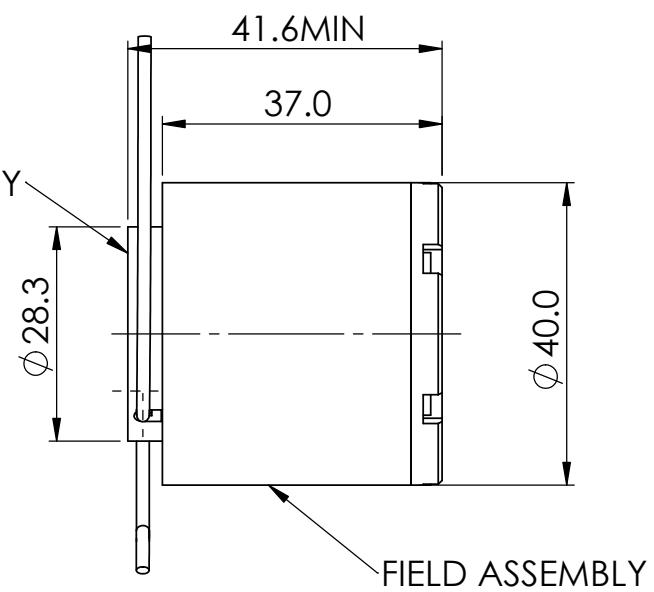
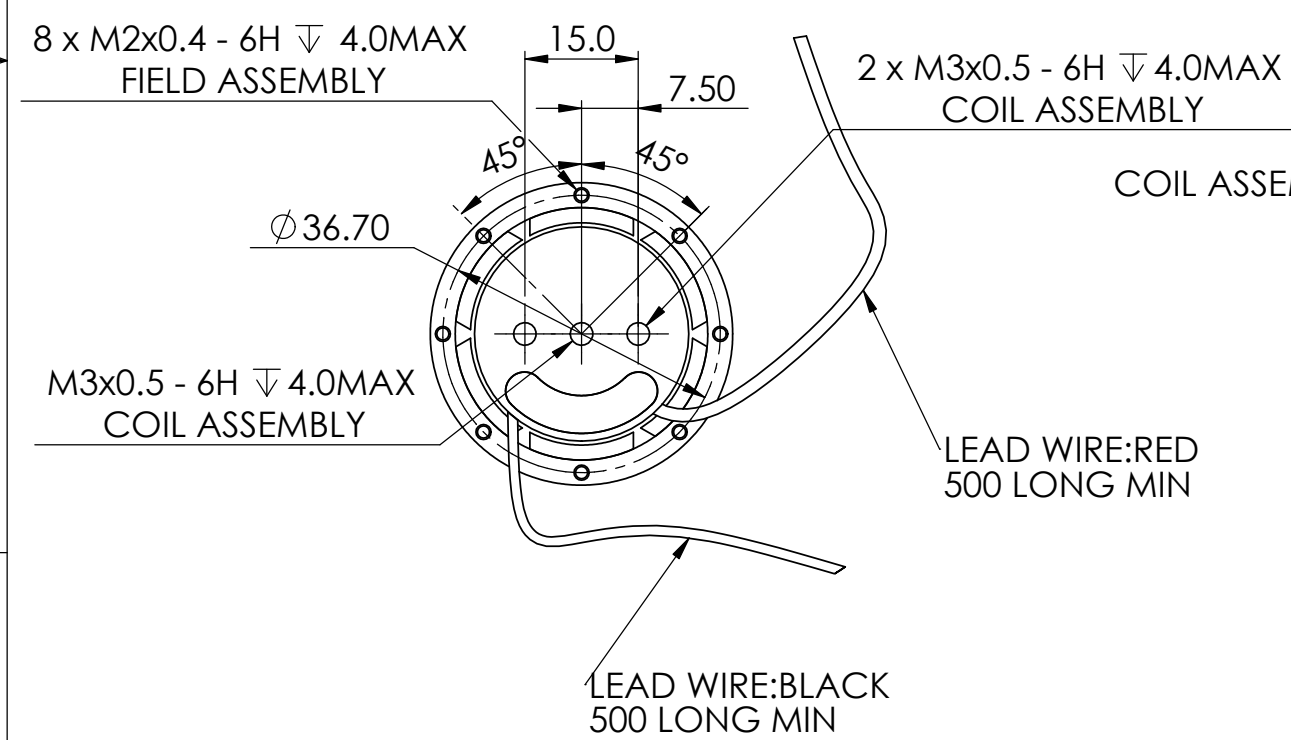
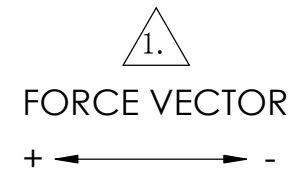


WINDING CONSTANT	TOL	SYM	VALUE	UNITS
DC RESISTANCE	± 10%	R	6.5	OHMS
VOLTAGE @ Fp	NOMINAL	Vp	29.3	VOLTS
CURRENT @ Fp	NOMINAL	Ip	4.5	AMPS
FORCE SENSITIVITY	± 10%	Kf	7.1	N / A
BACK EMF CONSTANT	NOMINAL	Kb	7.1	V/M/Sec
INDUCTANCE*****	± 30%	L	3.3	mH
ACTUATOR PARAMETER		SYM	VALUE	UNITS
PEAK FORCE *		Fp	32	N
CONTINUOUS FORCE **		Fc	8.9	N
CONTINUOUS FORCE WITH HEAT SINK		Fc	15	N
ACTUATOR CONSTANT		Ka	2.78	N/√w
ELECT TIME CONSTANT		Te	0.51	milli-sec
POWER I2R@Fp		Pp	132	W
TOTAL STROKE		S	5.0	mm
CLEARANCE ON SIDE OF COIL		CL	0.5	mm
THERMAL RESISTANCE ***		θth	12.2	C / W
THERMAL RESISTANCE WITH HEAT SINK****		θth	4.3	C / W
MAX WINDING TEMP		Tmax	150	C
WEIGHT OF COIL ASSEMBLY		WTc	51	g
WEIGHT OF FIELD ASSEMBLY		WTf	254	g
WEIGHT OF ACTUATOR		WTa	305	g

* 10 sec @ 25C ambient, 150C coil temp.
 ** 25C ambient, 150C coil temp.
 *** In free air.
 **** Measured with 250×250×10mm heat sink.
 ***** Measured with BK PRECISION 875B.

REV	ECO NO.	DESCRIPTION	DRN	APP'D	Q.A.	DATE
X1	---	INITIAL RELEASE	BWZ	WYG	LBQ	07/04/26
X2	100080	UPDATE DATA SHEET TO REFLECT TEST RESULT	BWZ	WYG	LBQ	07/09/25



2.INSULATION RESISANCE:100 MEGOHMS MINIMUM AT 500 VDC.
 ▲ A POSITIVE(+)VOLTAGE APPLIED TO THE RED LEAD WILL PRODUCE A FORCE ON THE COIL ASSEMBLY IN POSITIVE (+) DIRECTION.
 NOTES:UNLESS OTHERWISE SPECIFIED

PROPRIETARY AND CONFIDENTIAL
 THE INFORMATION CONTAINED IN THIS DRAWING IS THE SOLE PROPERTY OF USAS MOTION - SUZHOU, CHINA. ANY REPRODUCTION IN PART OR AS A WHOLE WITHOUT THE WRITTEN PERMISSION OF USAS MOTION - SUZHOU, CHINA IS PROHIBITED.

UNLESS OTHERWISE SPECIFIED:
 DIMENSIONS ARE IN MM
 TOLERANCES:
 ANGULAR: MACH±0° 30'
 ONE PLACE DECIMAL ±0.25
 TWO PLACE DECIMAL ±0.1

INTERPRET GEOMETRIC TOLERANCING PER:
 ANSI Y14.5M-1982.

DO NOT SCALE DRAWING

	NAME	DATE
DRAWN	BWZ	07-04-26
CHECKED		
ENG APPR.	WYG	07-04-26
MFG APPR.		
Q.A.	LBQ	07-04-26
COMMENTS:		

usas motion Suzhou, China

TITLE:
LINEAR ACTUATOR

SIZE	DWG. NO.	REV
B	VLR0032-0050-00A	X2

SCALE: 1: 1 SHEET 1 OF 1